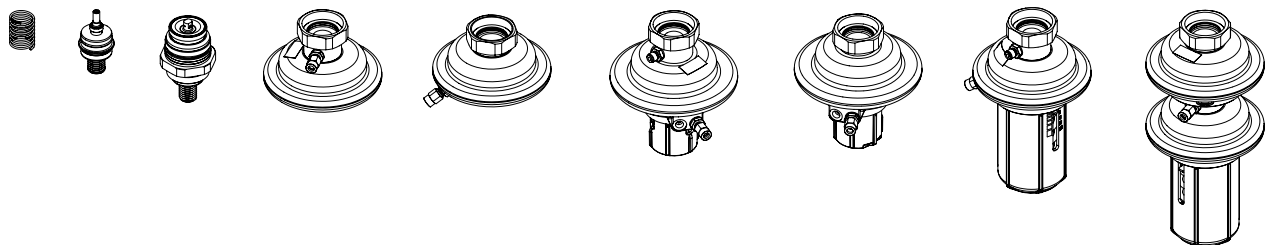


Instructions

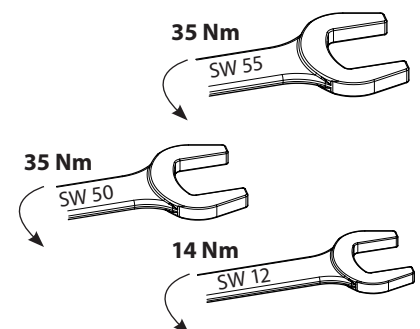
Service kits



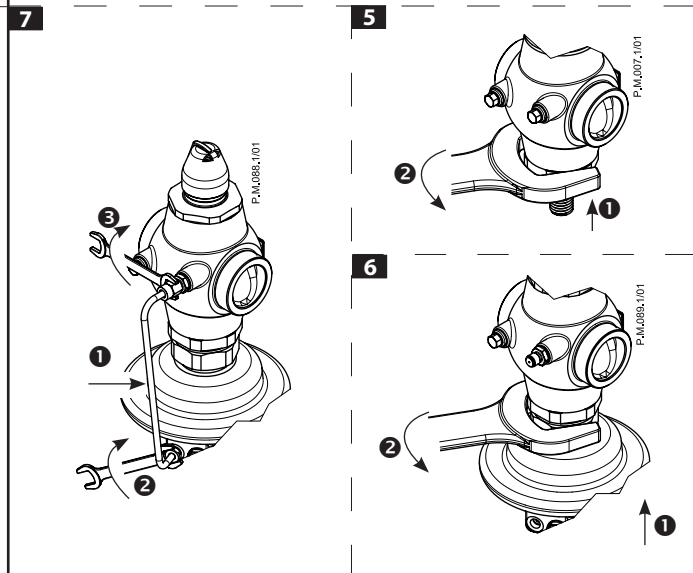
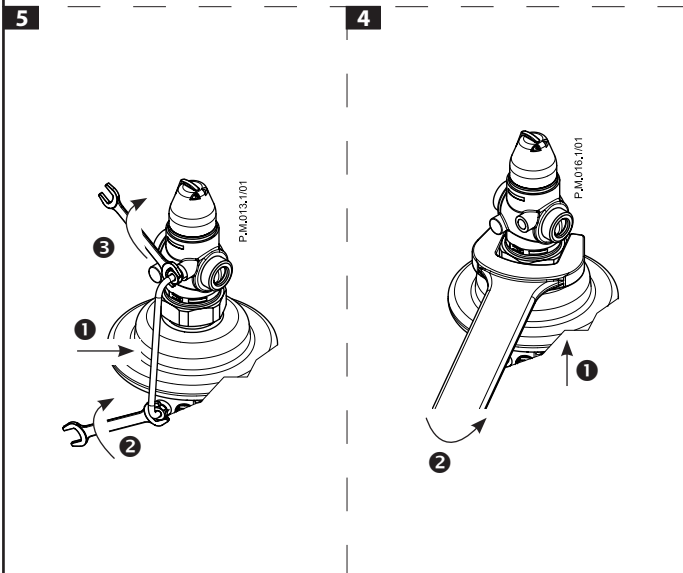
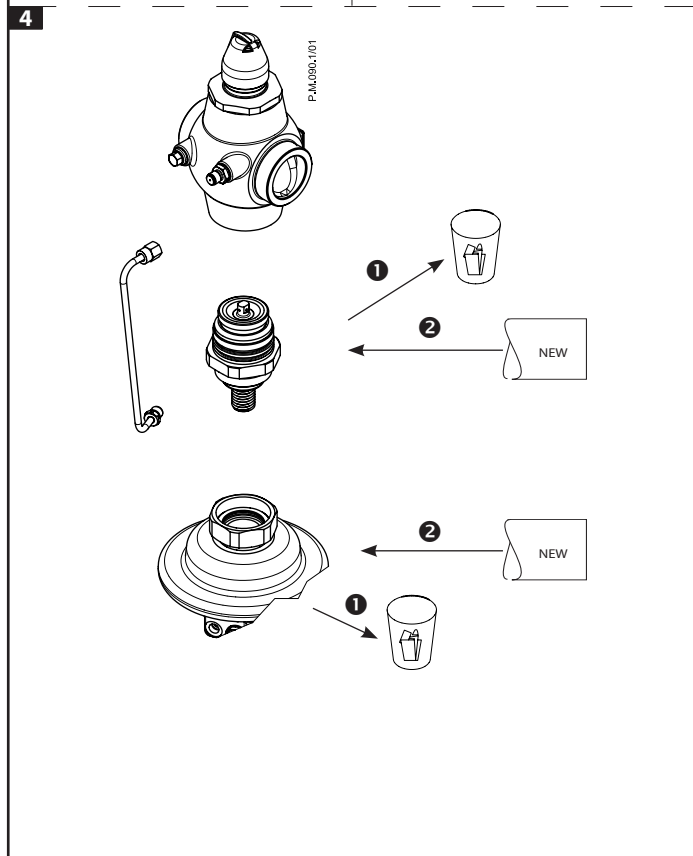
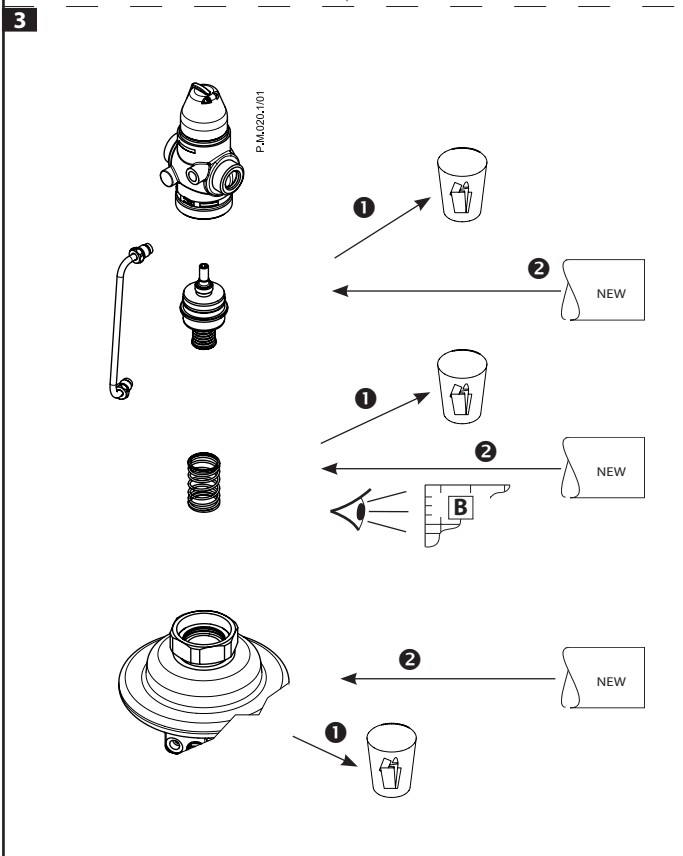
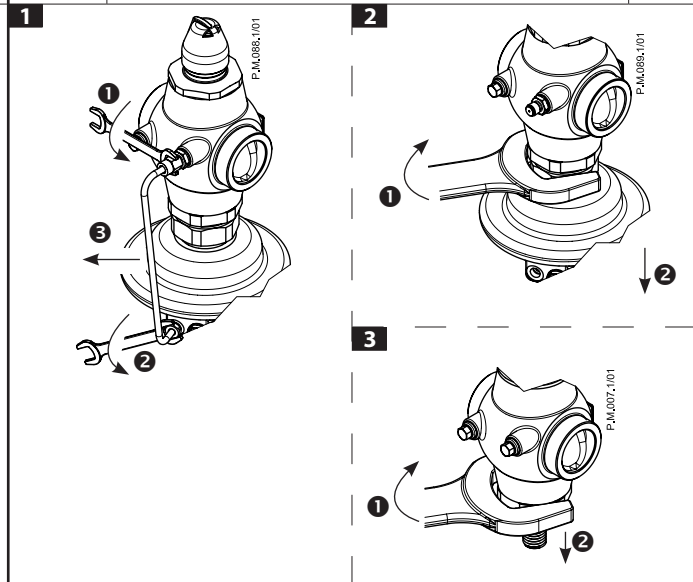
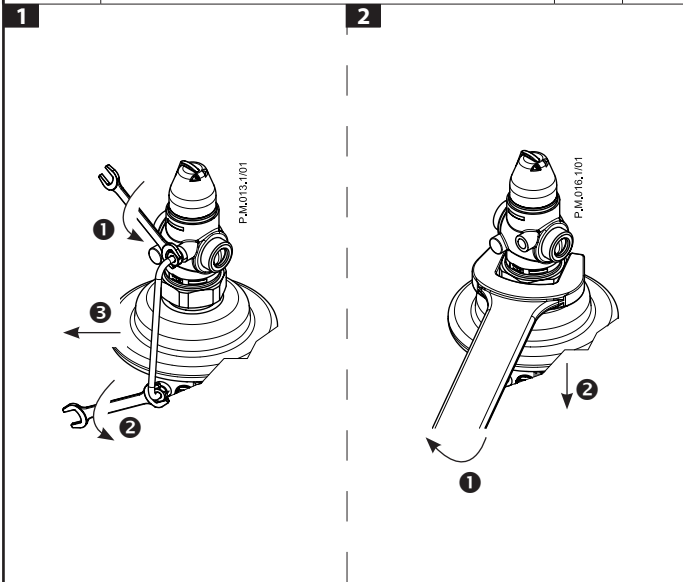
A	PN	DN	Δp (bar)							Code No.
			$0.05 \div 0.5$ $0.1 \div 0.5$	$0.2 \div 1.0$	$0.3 \div 2.0$	$0.8 \div 1.6$	0.2	0.3	0.5	
16	15 \div 32		-	×		-	×	-	-	003H1330
			-	-		-	-	×	-	003H1326
			-	-		-	-	-	×	003H1331
			-	-		×	-	-	-	003H1332
25	15 \div 50			-	-		×		88835920	
	15 \div 25			-	-		-	×	88835930	
	32 \div 50			-	-		-	×	88835940	

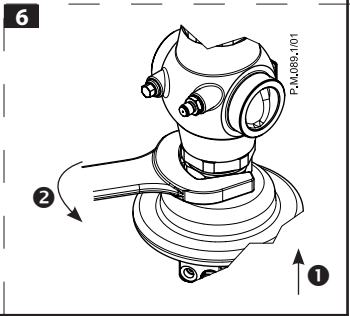
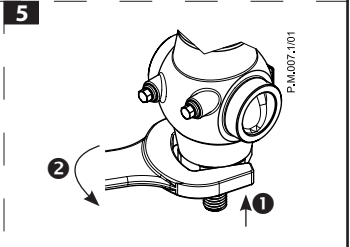
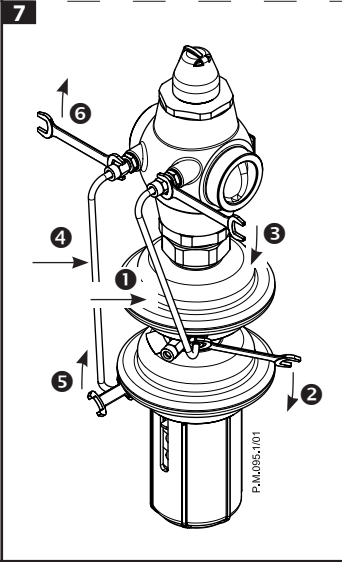
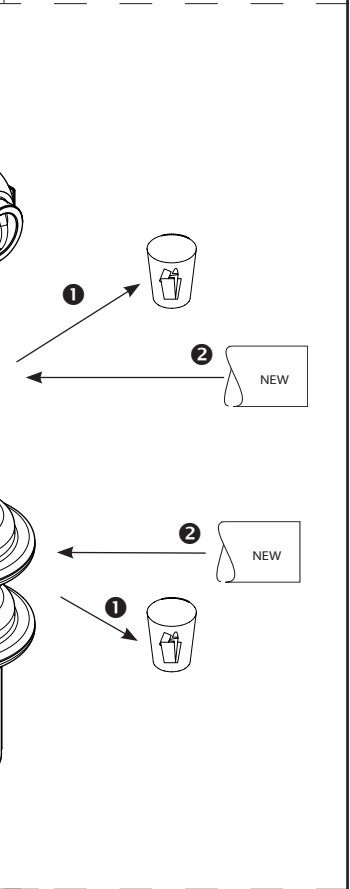
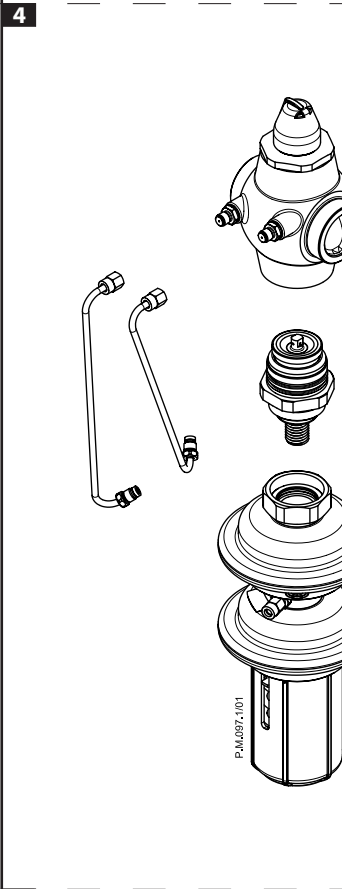
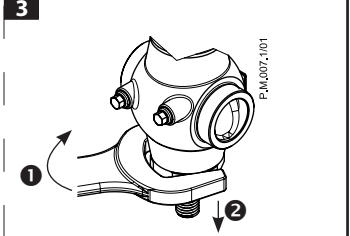
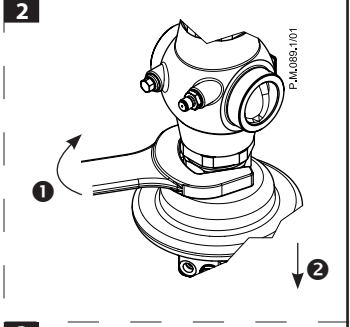
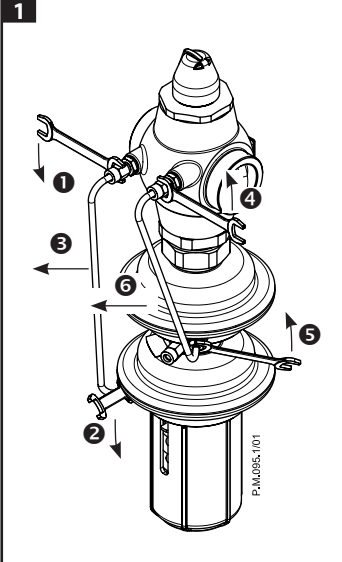
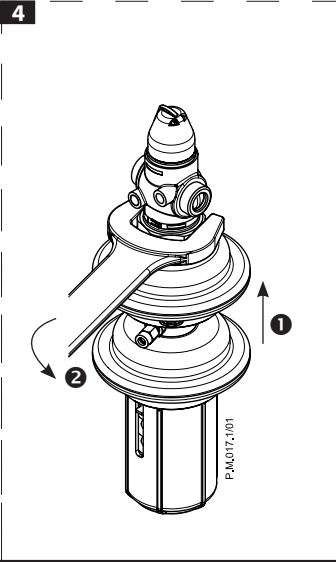
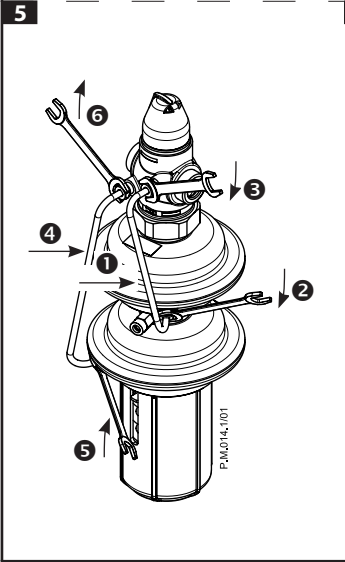
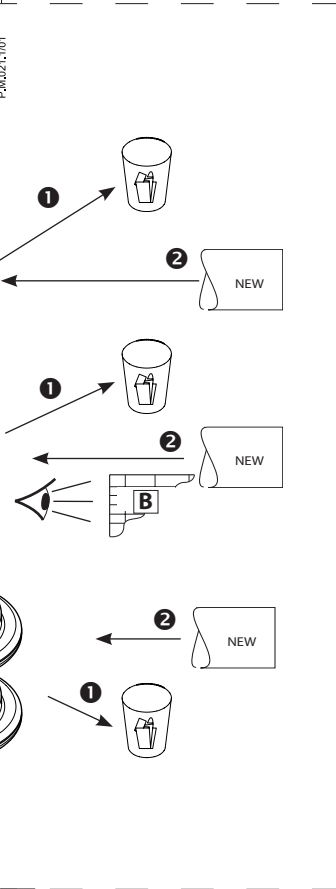
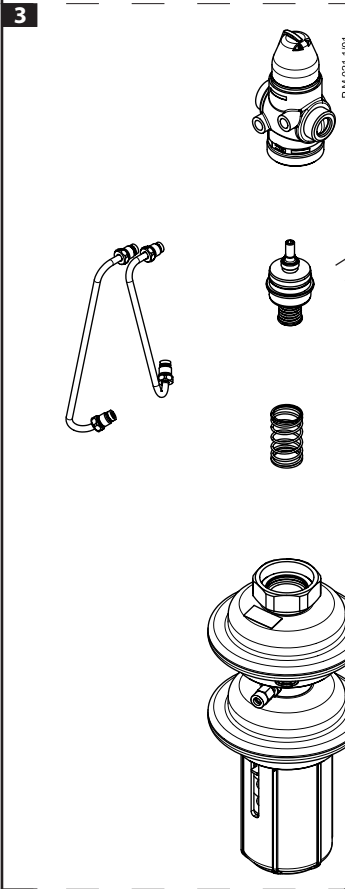
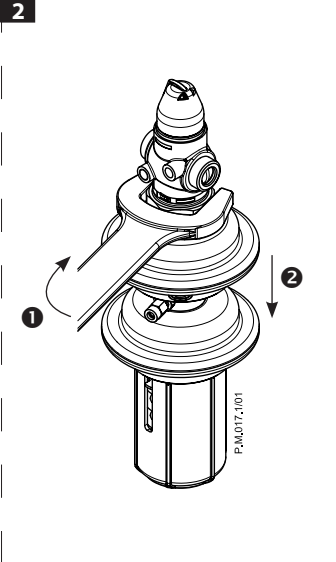
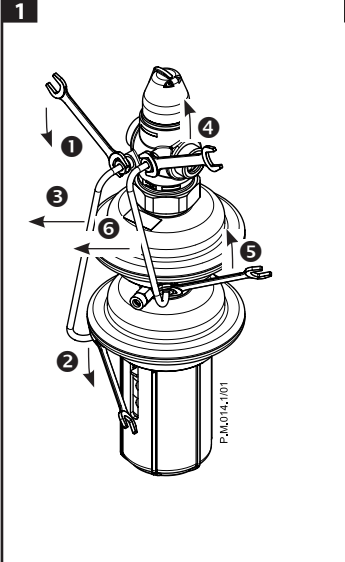
M1	CuSn5ZnPb (Rg5)
M2	EN-GJS-400-18-LT (GGG 40.3)

B	PN	DN	Δp_b (bar)							Code No.
			$0.1 \div 0.5$	$0.2 \div 1.0$	$0.3 \div 2.0$	$0.8 \div 1.6$	0.2	0.3	0.5	
16	15 \div 32							×		003H1330
								×		88835920
25	15 \div 25									-
										-



2	PN 25	AVP, AVP-F, AVPB, AVPB-F, AVPBT-F, AVD, AVQ, AVQT, AVQM, AVQMT	M1
2	PN 25	AVP, AVP-F, AVPB, AVPB-F, AVPBT-F, AVD, AVQ, AVQT, AVQM, AVQMT	M2
3	PN 25	AVPQ, AVPQ-F	M1
3	PN 25	AVPQ, AVPQ-F	M2
4	PN 25	AVPQ 4, AVPQ 4-F	M1
4	PN 25	AVPQ 4, AVPQ 4-F	M2
5	PN 25	AVPA	M1
5	PN 25	AVPA	M2





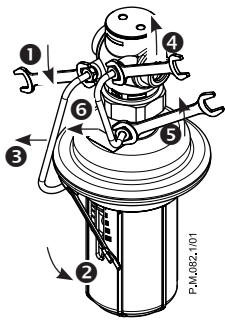
PN 25 AVPA

M1

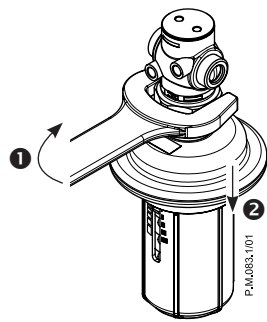
PN 25 AVPA

M2

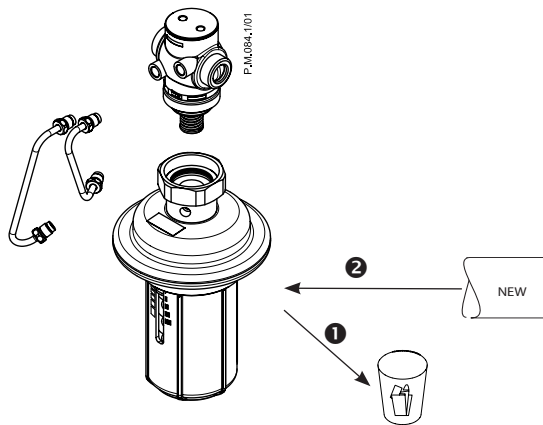
1



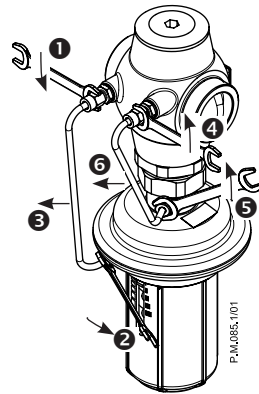
2



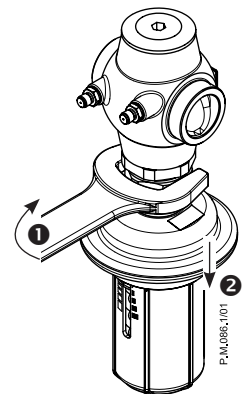
3



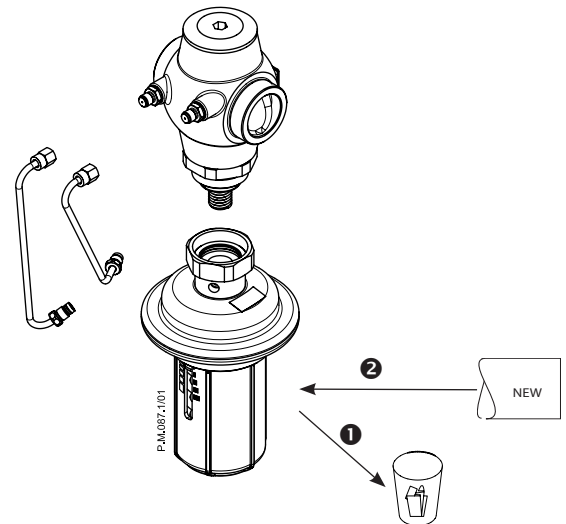
1



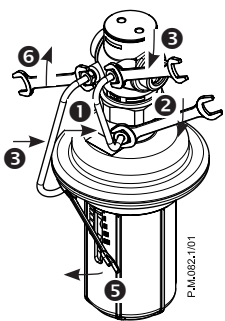
2



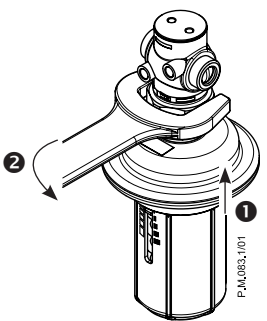
3



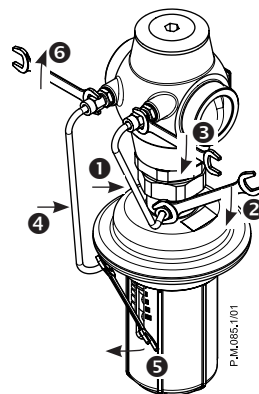
5



4



5



4

