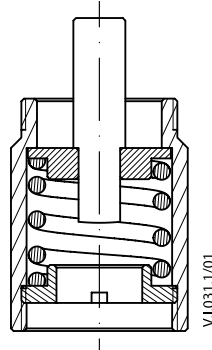
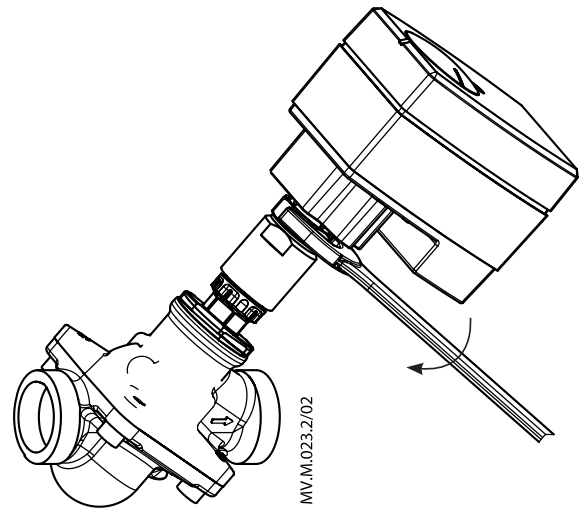
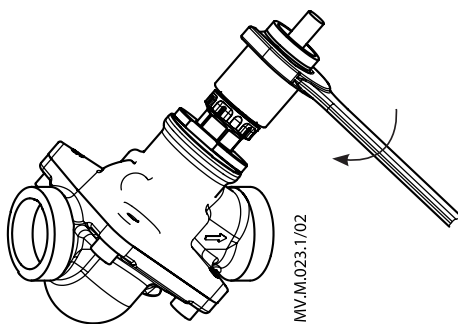
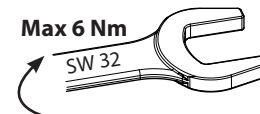
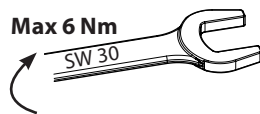


## Installation Guide

### AB-QM/AME 13 SU Adapter (DN 10-32)



Code No. 003Z3959



**Installation Guide      AB-QM/AME 13 SU Adapter (DN 10-32)**

---

---