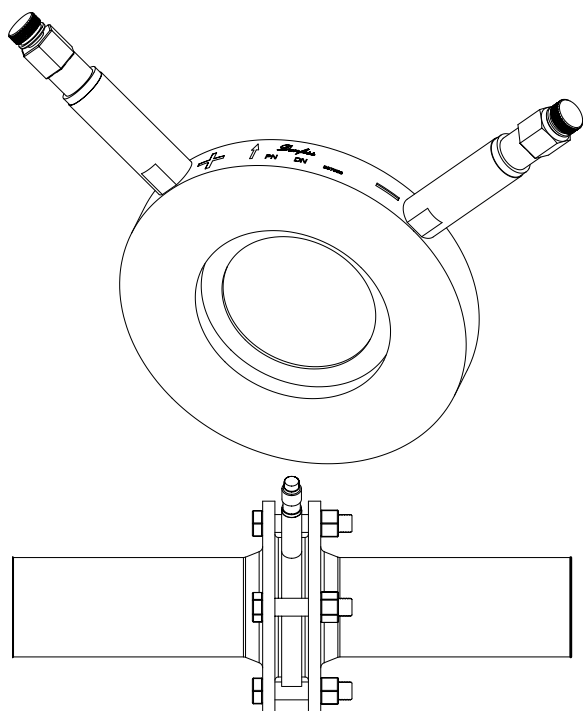


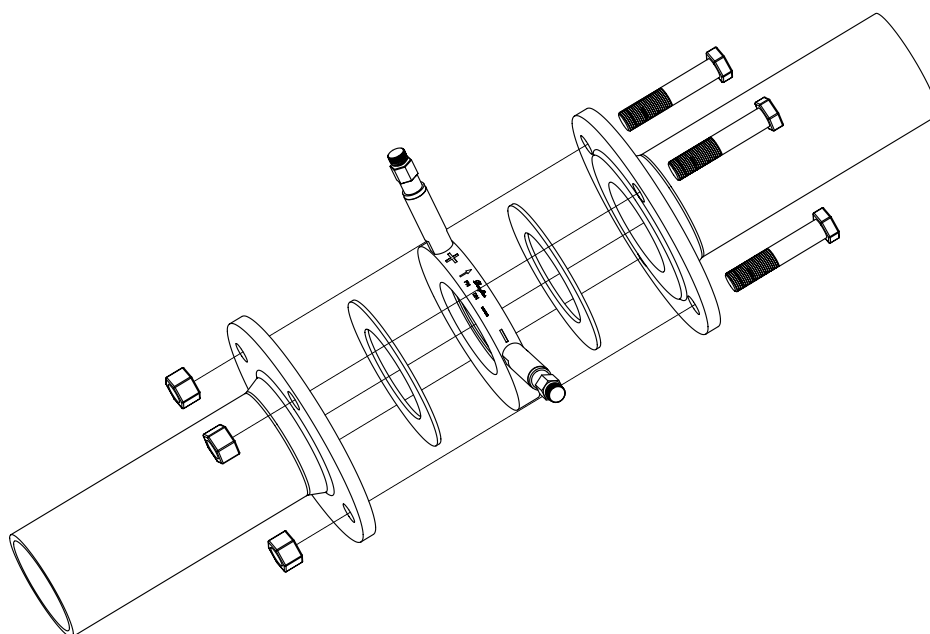
Installation Guide

Measuring Orifice



DN	K _{vs} * (m ³ /h)	Code No.
		PN 25
50	69	003Z2260
65	103	003Z2261
80	119	003Z2262
100	233	003Z2277
125	334	003Z2278
150	525	003Z2279
200	798	003Z2280
250	1219	003Z2281
300	1880	003Z2282
350	2180	003Z2283
400	2650	003Z2284
450	3430	003Z2285
500	4230	003Z2286
600	6240	003Z2287

* Flow at $\Delta_p = 1.0$ bar over the orifice



Installation Guide Measuring Orifice

Danfoss can accept no responsibility for possible errors in catalogues, brochures and other printed material. Danfoss reserves the right to alter its products without notice. This also applies to products already on order provided that such alterations can be made without subsequential changes being necessary in specifications already agreed. All trademarks in this material are property of the respective companies. Danfoss and the Danfoss logotype are trademarks of Danfoss A/S. All rights reserved.
